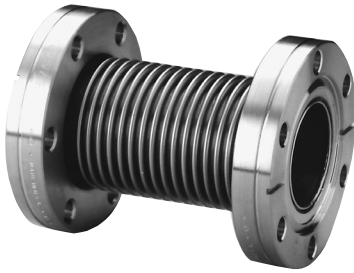
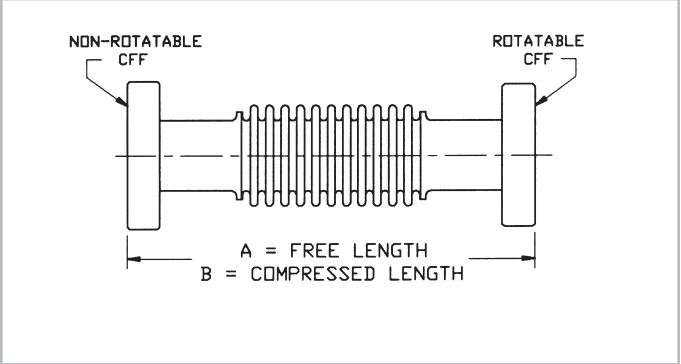


Flexible Couplings (Non-Braided)



Outline Drawing inches (mm)



Specifications

- Vacuum-compatible stainless steel
- Sizes 3/4 in. – 6 in.
- Full penetration vacuum welds

Ordering Information – Flexible Couplings, Non-Braided

Nominal O.D.	Part Number	Free A in. (mm)	Compressed B in. (mm)	Nominal Flange Size	Shipping Weight lbs. (kg)
3/4 in.	FL00750300 ●	3.00 (76.20)	2.65 (67.3)	1 1/3	1.5 (0.7)
	FL00750600	6.00 (152.40)	5.30 (134.6)	1 1/3	1.5 (0.7)
	FL00751000	10.00 (254.00)	9.00 (228.6)	1 1/3	2.0 (0.9)
	FL00751200	12.00 (304.80)	10.90 (276.9)	1 1/3	2.0 (0.9)
	FL00751800	18.00 (457.20)	–	1 1/3	3.0 (1.4)
	FL00752000	20.00 (508.00)	–	1 1/3	4.0 (1.8)
	FL00752400	24.00 (609.60)	–	1 1/3	4.0 (1.8)
	FL00753600	36.00 (914.40)	–	1 1/3	5.0 (2.3)
	FL00754800	48.00 (1219.20)	–	1 1/3	5.0 (2.3)
1 in.	FL01000400	4.00 (101.60)	3.57 (90.7)	2 1/8	1.5 (0.7)
	FL01001200	12.00 (304.80)	–	2 1/8	2.5 (1.1)
	FL01001800	18.00 (457.20)	–	2 1/8	2.5 (1.1)
	FL01002400	24.00 (609.60)	–	2 1/8	3.0 (1.4)
	FL01003600	36.00 (914.40)	–	2 1/8	3.0 (1.4)
	FL01004800	48.00 (1219.20)	–	2 1/8	4.0 (1.8)
1 1/2 in.	FL01500334 ●	3.34 (84.84)	2.90 (73.7)	2 3/4	2.0 (0.9)
	FL01500400	4.00 (101.60)	3.57 (90.7)	2 3/4	2.0 (0.9)
	FL01501200	12.00 (304.80)	–	2 3/4	3.0 (1.4)
	FL01501800	18.00 (457.20)	–	2 3/4	4.0 (1.8)
	FL01502000	20.00 (508.00)	–	2 3/4	4.0 (1.8)
	FL01502400	24.00 (609.60)	–	2 3/4	5.0 (2.3)
	FL01503600	36.00 (914.40)	–	2 3/4	6.0 (2.7)
	FL01504800	48.00 (1213.20)	–	2 3/4	6.0 (2.7)

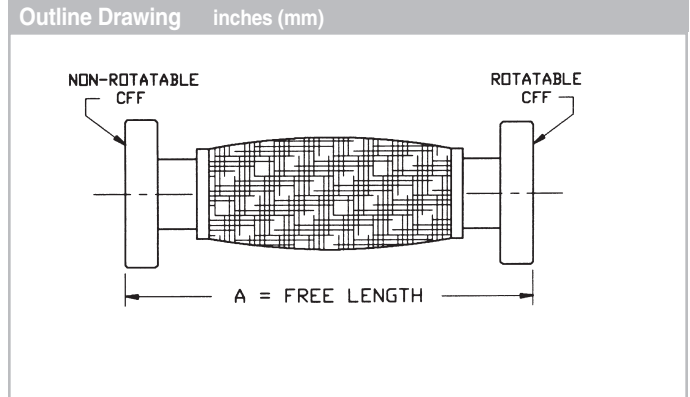
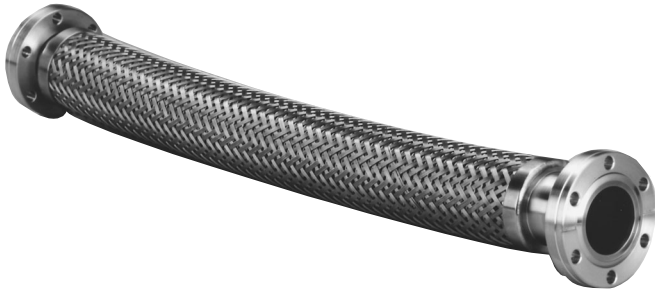
● Vacuum Express Item

Ordering Information – Flexible Couplings – Non-Braided

Nominal O.D.	Part Number	Free A in. (mm)	Compressed B in. (mm)	Nominal Flange Size	Shipping Weight lbs. (kg)
2 in.	FL02000600	6.00 (152.40)	5.30 (134.6)	3 $\frac{3}{8}$	2.0 (0.9)
	FL02001200	12.00 (304.80)	–	3 $\frac{3}{8}$	5.0 (2.3)
	FL02001800	18.00 (457.20)	–	3 $\frac{3}{8}$	6.0 (2.7)
	FL02002400	24.00 (609.60)	–	3 $\frac{3}{8}$	7.0 (3.1)
	FL02003600	36.00 (914.40)	–	3 $\frac{3}{8}$	8.0 (3.6)
	FL02004800	48.00 (1219.20)	–	3 $\frac{3}{8}$	8.0 (3.6)
2½ in.	FL02500625	6.25 (158.75)	5.57 (141.5)	4½	7.0 (3.1)
	FL02501200	12.00 (304.80)	–	4½	8.0 (3.6)
	FL02501800	18.00 (457.20)	–	4½	9.0 (4.1)
	FL02502000	20.00 (508.00)	–	4½	9.0 (4.1)
	FL02502400	24.00 (609.60)	–	4½	9.0 (4.1)
	FL02503600	36.00 (914.40)	–	4½	10.0 (4.5)
	FL02504800	48.00 (1219.20)	–	4½	10.0 (4.5)
3 in.	FL03000800	8.00 (203.20)	7.06 (179.3)	4 $\frac{5}{8}$	7.0 (3.1)
	FL03001200	12.00 (304.80)	–	4 $\frac{5}{8}$	8.0 (3.6)
4 in.	FL04000763	7.63 (193.80)	6.65 (168.9)	6	14.0 (6.3)
	FL04001200	12.00 (304.80)	–	6	16.0 (7.2)
	FL04001800	18.00 (457.20)	–	6	17.0 (7.7)
	FL04002400	24.00 (609.60)	–	6	18.0 (8.1)
5 in.	FL05000800	8.00 (203.20)	6.98 (177.3)	6¾	18.0 (8.1)
6 in.	FL06000813	8.13 (206.50)	7.20 (182.9)	8	18.0 (8.1)
	FL06001000	10.00 (254.00)	–	8	18.0 (8.1)

NOTE • Custom configurations available on request.

Flexible Couplings (Braided)



Specifications

- Vacuum-compatible stainless steel
- Sizes ¼ in. – 6 in.
- Full penetration vacuum welds
- Custom lengths available

Ordering Information – Flexible Couplings – Braided

Nominal O.D.	Part Number	Free A in. (mm)	Nominal Flange Size	Shipping Weight lbs. (kg)
¼ in.	FLB00750600	6.00 (152.40)	1½	1.5 (0.7)
	FLB00751200	12.00 (304.80)	1½	2.0 (0.9)
	FLB00751800	18.00 (457.20)	1½	3.0 (1.4)
	FLB00752000	20.00 (508.00)	1½	4.0 (1.8)
	FLB00752400	24.00 (609.60)	1½	4.0 (1.8)
	FLB00753600	36.00 (914.40)	1½	5.0 (2.3)
	FLB00754800	48.00 (1219.20)	1½	5.0 (2.3)
1 in.	FLB01000600	6.00 (152.40)	2½	1.5 (0.7)
	FLB01001200	12.00 (304.80)	2½	2.5 (1.1)
	FLB01001800	18.00 (457.20)	2½	2.5 (1.1)
	FLB01002400	24.00 (609.60)	2½	3.0 (1.4)
	FLB01003600	36.00 (914.40)	2½	3.0 (1.4)
	FLB01004800	48.00 (1219.20)	2½	4.0 (1.8)
1½ in.	FLB01500600	6.00 (152.40)	2¾	2.0 (0.9)
	FLB01501200	12.00 (304.80)	2¾	3.0 (1.4)
	FLB01501875	18.75 (476.25)	2¾	4.0 (1.8)
	FLB01502000	20.00 (508.00)	2¾	4.0 (1.8)
	FLB01502400	24.00 (609.60)	2¾	5.0 (2.3)
	FLB01503600	36.00 (914.40)	2¾	6.0 (2.7)
	FLB01504800	48.00 (1219.20)	2¾	6.0 (2.7)
2 in.	FLB02000600	6.00 (152.40)	3¾	2.0 (0.9)
	FLB02001200	12.00 (304.80)	3¾	5.0 (2.3)
	FLB02001800	18.00 (457.20)	3¾	6.0 (2.7)
	FLB02002400	24.00 (609.60)	3¾	7.0 (3.1)
	FLB02003600	36.00 (914.40)	3¾	8.0 (3.6)
	FLB02004800	48.00 (1219.20)	3¾	8.0 (3.6)

Ordering Information – Flexible Couplings – Braided

Nominal O.D.	Part Number	Free A in. (mm)	Nominal Flange Size	Shipping Weight lbs. (kg)
2½ in.	FLB02500600	6.00 (152.40)	4½	7.0 (3.1)
	FLB02501200	12.00 (304.80)	4½	8.0 (3.6)
	FLB02501800	18.00 (457.20)	4½	9.0 (4.1)
	FLB02502000	20.00 (508.00)	4½	9.0 (4.1)
	FLB02502400	24.00 (609.60)	4½	9.0 (4.1)
	FLB02503600	36.00 (914.40)	4½	10.0 (4.5)
	FLB02504800	48.00 (1219.20)	4½	10.0 (4.5)
3 in.	FLB03000800	8.00 (203.20)	4 ⁵ / ₈	7.0 (3.1)
	FLB03001200	12.00 (304.80)	4 ⁵ / ₈	8.0 (3.6)
4 in.	FLB04000800	8.00 (203.20)	6	13.0 (5.9)
	FLB04001200	12.00 (304.80)	6	16.0 (7.2)
	FLB04001800	18.00 (457.20)	6	17.0 (7.7)
	FLB04002400	24.00 (609.60)	6	18.0 (8.1)
5 in.	FLB05000800	8.00 (304.80)	6 ³ / ₄	18.0 (8.1)
6 in.	FLB06001000	10.00 (254.00)	8	18.0 (8.1)