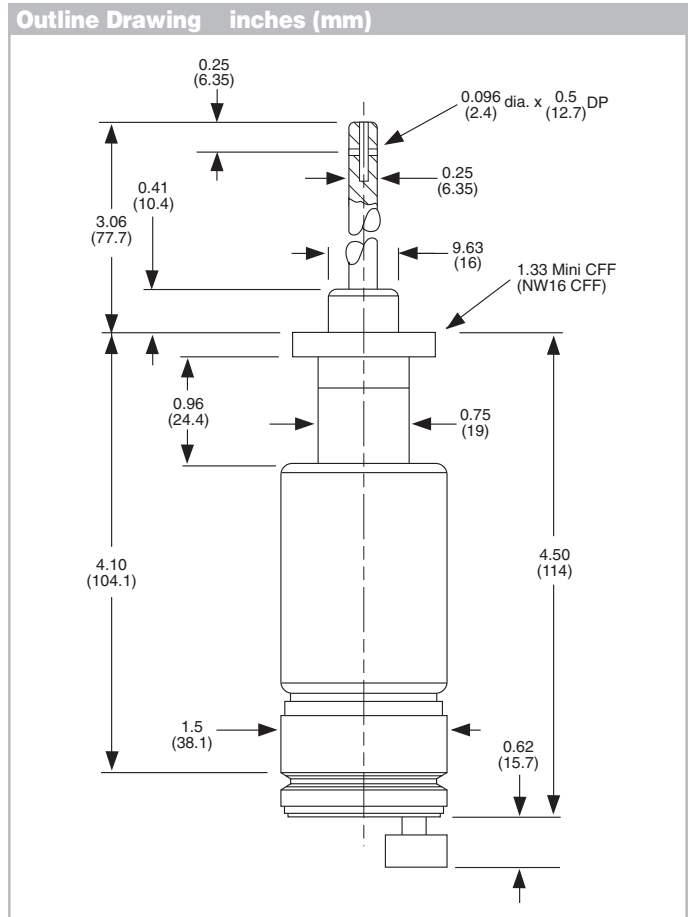


Rotary Motion Feedthrough



Especially well-suited for bakeable ultra-high vacuum applications, this rotary motion feedthrough is bellows-sealed and has a built-in lock. It is mounted on a 1.33 in. OD Mini-ConFlat® flange (NW16 CFF).

Technical Specifications

Vacuum Range	Atmosphere to 10 ⁻¹¹ torr (mbar)
Torque Rating	150 inch-ounces
Speed	200 RPM maximum
Runout at Shaft Tip	0.006" maximum (0.15 mm)
Life	50,000 total turns nominal 300° C maximum (bakeout)
Temperature	-196° C to +150° C (operating)
Rotation	Continuously rotatable in either direction

Ordering Information

Description

Rotary motion feedthrough

On 1½ in. mini ConFlat flange (NW16 CFF)

Gaskets for mini ConFlat flange (NW16 CFF), 10/pkg

● Vacuum Express Item

Part Number

L6691301 ●

FG0133CI

Shipping Weight lbs. (kg)

5.0 (2.3)

1.0 (0.5)